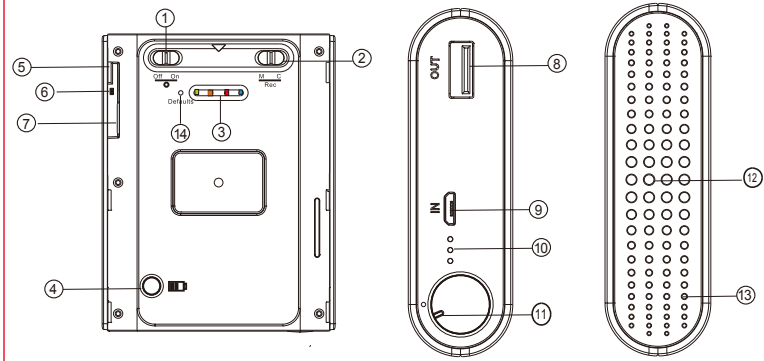
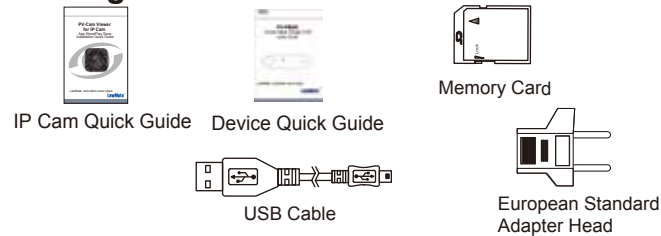


## 1. Names and Parts



- ① WiFi Switch
- ② Continuous Recording/ Motion Detection Switch
- ③ LED Indicators
- ④ Power LED Indicators Button
- ⑤ USB Port(Retrieve Video Files)
- ⑥ Reset Key
- ⑦ Memory Card Slot
- ⑧ 5V Out Port
- ⑨ USB Port
- ⑩ Power LED Indicators
- ⑪ Power Switch (Clockwise: On, Counterclockwise: Off)
- ⑫ Lens
- ⑬ Microphone
- ⑭ Default Button

## 2. Package Content



\*No microphones are available for USA market.

1

## 3. Recording Operation

It is highly recommended to format memory card first before using it for the first time.

- 3.1. Power on: Switch ⑪ to clockwise direction.
- 3.2. Recording: 40 seconds after the device is powered on, it starts to record automatically.
- 3.3. Wi-Fi: With device powered on, switch ① to on, Wi-Fi will be turned on in 40 seconds.
- 3.4. Power off: Switch ⑪ to counterclockwise direction, you can stop the recording and turn off the DVR.
- 3.5. Restore default Wi-Fi password: long press ⑭ for 4 seconds.
- 3.6. Restore all default setting: press ⑭ for 10 seconds.
- 3.7. Change the recording mode: Switch ② right to Continuous recording mode; switch ② left to Motion Detection mode.

## 4. LED Indicators

- Solid blue LED ■ - power on
- Solid red LED ■ - recording on
- Blinking orange LED ■ - device searching for Wi-Fi connection
- Solid orange LED ■ - device connected to phone (P2P connected)
- Solid green LED ■ - device connected to the router (IP connected)

## 5. Format Memory Card

Go to the Program Setting on the PV Cam Viewer App to format the memory card.

2

## 6. Retrieve Video Files

There are two ways to read the retrieve video files.

- 6.1. Use memory card reader to retrieve video files.
- 6.2. With the device powered on and memory card inserted, plug the USB cable into ⑤, and plug the other end into the PC. The device will be recognized by PC as an external drive for user to retrieve the files.

## 7. Setting up IP Connection

Please refer to PV-Cam Viewer for IP cam quick guide.

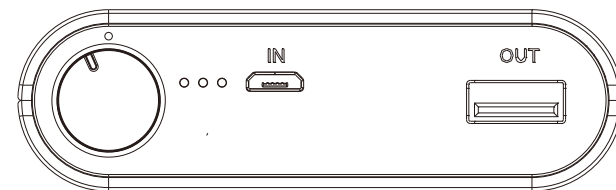
## 8. Power LED Indicator

LED Indicators	Battery Capacity
Three blue LED shining	65~100%
Two blue LED shining	35~ 65%
One blue LED shining	5% ~ 35%
One Blinking blue LED	No power
Three flashing blue LED	Device charging

\*Do not remove serial number stickers! Warranty is invalid if the sticker is tampered!

3

# PV-PB20i Power Bank Design DVR Quick Guide



LawMate, innovation never stops

**LawMate**®

V1.0